

Product introduction >>>----->>>>

JISIM JD1113 is a constant voltage LED intelligent dimming driver. It is a product specially designed for indoor constant voltage lamps. It supports Triac dimming function. The customized dimming curve section makes the human eye more comfortable; when no external signal is connected, it can be used as a non-dimming driver; It is suitable for LED strips, linear lamps, lamp films, magnetic lamps, decorative lamps. It is widely used in smart homes, smart hotels, smart commercial lighting, smart offices, smart buildings, large public buildings, etc. Places.



Product Features >>>----->>>>

- Compact SELV independent dimmable driver
- Support Triac dimming
- Globally certified, SELV equivalent
- Suitable for class I II III luminaires
- Output power up to 100W
- Up to 50000 hours life time, 5-Year Warranty (Long-lasting Capacitor)
- Smooth dimming, no stroboscopic, no noise, dimming range: 0.01-100%
- Small size, light weight, high efficiency
- The housing is made from V0 flame retardant PC materials from CHIMEI
- Standby power consumption <0.5 W, meets ErP energy efficiency certification

Technical Specifications (All parameters not specially mentioned are measured at 230VAC input, full load and 25°C of ambient temperature) ----->>>>

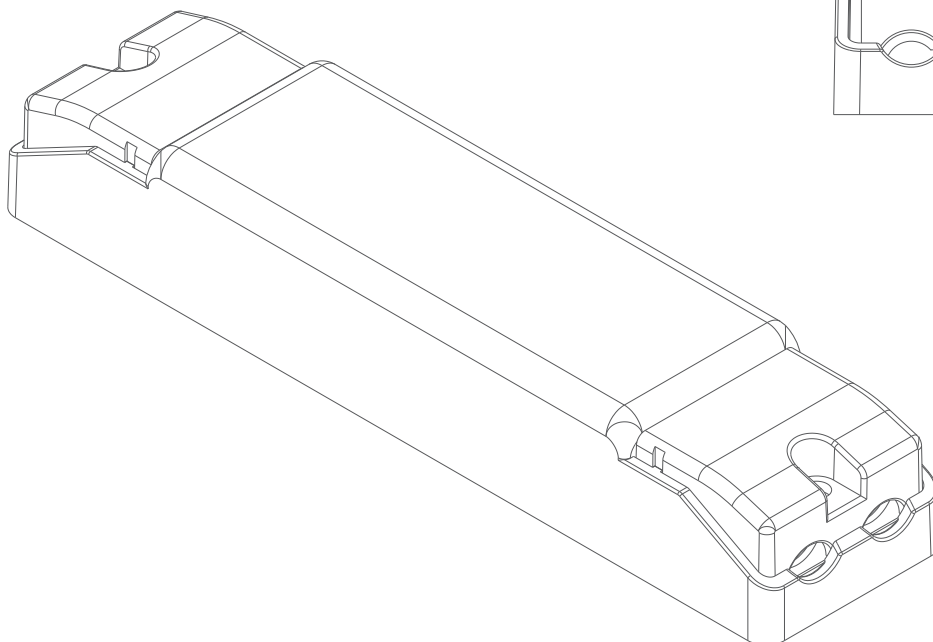
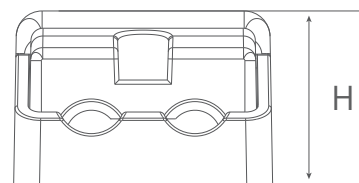
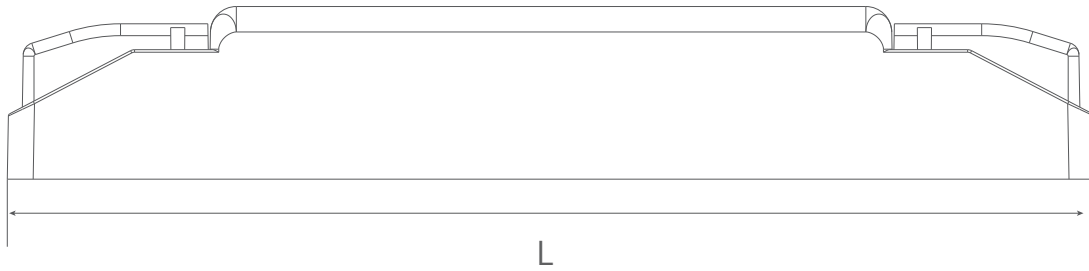
Model	JD1113								
Input	DC Voltage Range	220-240V			Features	Output Type	Constant Voltage		
	AC Voltage Range	220-240V				Dimming Interface	Triac		
	Rated Voltage	220Vac/230Vac/240Vac				Output Feature	Isolation		
	Input Frequency	0/50/60Hz				IP Rating	IP20		
	Input Current	≤0.9A/230Vac(at full load)				Insulation Rating	Class II (Suitable for class I II III light fixtures)		
	Input Power	Max.115W			Output	No Load Output Voltage	≤25Vdc		
	Efficiency	≥88%(at full load)				Rated Voltage	24Vdc		
	Inrush Current	<75A&230uS@230Vac				Output Current Range	Max.4.2A		
	Anti-Surge	L-N:4KV				Output Power Range	100W		
	Leakage Current	<0.5mA/230Vac				Dimming Range	0.01~100%		
Protection	Overload Protection	Hiccup Mode (Auto-Recovery after Elimination)				Ripple	Max.240mV		
	Open Circuit Protection	≤25Vdc				Voltage Accuracy	±5%		
	Stort Circuit Protection	Hiccup Mode (Auto-Recovery after Elimination)				PWM Frequency	16000Hz		
Safety	Safety Standards	Withstand Voltage		I/P-O/P: 3750Vac, 5mA, 60s		Environment	Working Temperature	ta: -20°C~45°C	
		Insulation Resistance		I/P-O/P: 100MΩ/500VDC/25°C/70%RH			Working Humidity	20~95%RH(No Condensation)	
		CCC	China	GB19510.1, GB19510.14			Storage Temperature/Humidity	-20~85°C/10~95%RH	
		CE	European Union	EN61347-1, EN61347-2-13, EN62493			Case Temperature	tc: 90°C	
		KC	Korea	KC61347-1, KC61347-2-13			Life Time	>50000h@tc=90°C	
		TUV	Germany	EN61347-1, EN61347-2-13, EN62493					
		ENEC	Europe	EN61347-1, EN61347-2-13, EN IEC62384					
		CB	CB Member States	IEC61347-1, IEC61347-2-13					
		RCM	Australia	AS/NZS61347.1, AS61347.2.13					
		BIS	India	IS15885(PART2/SEC13)					
ErP	Flicker/ Stroboscopic Effect	DF		DF ≥ 0.9					
		IEEE1789		Meet IEEE Std1789-2015					
		CIESVM		Pst ≤ 1, SVM ≤ 0.4					
Test Equipment	LED Load	AC Source	PS-61005	Withstand Voltage Tester	TH9302D	Other			
		DC Electronic Load	IT8512A+	Thermostatic Humidity Chamber	HT-H-802				
		Spectrum Analyzer	KH3932	Intelligent Electrical Parameter Meter	PF9800	LED Load			
		Surge Generator	SUG61005TB(7.5KV)-2216	Oscilloscope	TBS1102B				
		Stroboscope	LANSHU-201B	Digital Wattmeter	PM2818C				

Phase-Cut Dimmable LED Driver

2D Diagram



Length (L)	Width (D)	Heigh(H)	Weight(W)
265mm	42mm	30mm	252±10g



Phase-Cut Dimmable LED Driver

Wiring Diagram



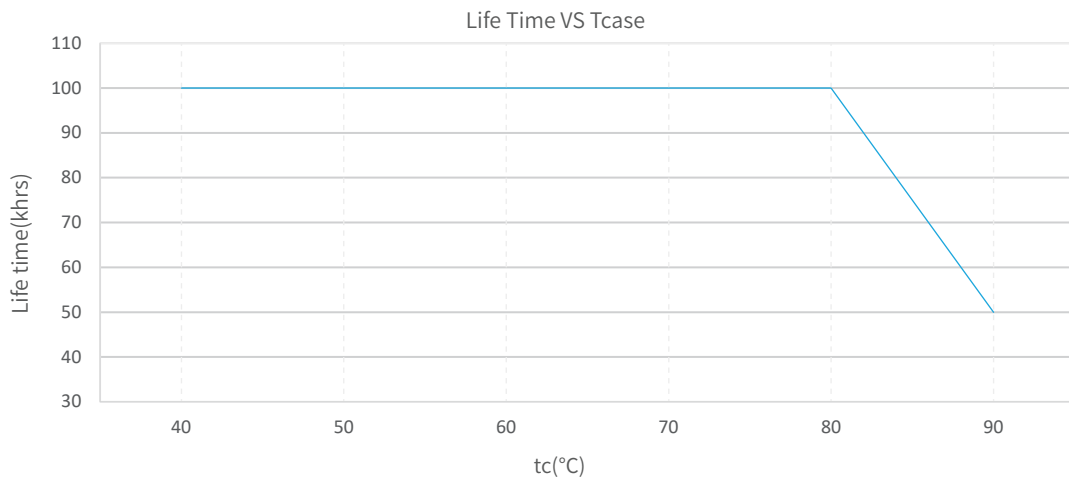
Installation Instructions

Interface	Marking	Description	Wire cross section	Wire Stripping length
Input	N	Input terminal of AC neutral wire	0.75...1.5mm ² (16-18AWG)	5...6mm
	L	Input terminal of AC live wire	0.75...1.5mm ² (16-18AWG)	5...6mm
Output	LED+	Positive electrode output of the driver	0.75...1.5mm ² (16-18AWG)	5...6mm
	LED-	Negative electrode output of the driver	0.75...1.5mm ² (16-18AWG)	5...6mm

Connection instructions

1. Rated torque: M2.6, 0.35~0.40N.m
2. All connections must be as short as possible to ensure good EMI performance.
3. Driver output support hot swap.
4. Incorrect wiring can damage the LED.
5. The power cable should be kept at a certain distance from the driver and other connecting cables (5-10cm recommended)

Product Characteristic Curves



The life-time of the LED driver is shown in the figure above calculated (based on the 90% survival rate). The relation of tc to ta temperature depends also on the luminaire design.

Phase-Cut Dimmable LED Driver

Packaging Image



Inner Packaging Box ▲



◀ Small Carton Packaging



◀ Large Carton Packaging

Packaging Size

Packaging Details	Carton Size	Packing Units	Weight
Inner Packaging Box	269x 47 x 34mm	1pcs	282±10g
Small Carton Packaging	350 x 197 x 167mm	15pcs	4.53kg
Large Carton Packaging	420 x 360 x 365mm	60pcs	19.02kg

Packaging instructions:

Each large carton packaging contains 4 small carton packagings, Each small carton packaging contains 15 inner packaging boxes.

Cautions

- ▶ This product is used as a component in conjunction with a lighting fixture. Due to the influence of EMC from the lighting fixture and wiring, customers should perform EMC testing to confirm the entire product set.
- ▶ No operation with power on. Installation and debugging should be performed by qualified professionals. Please read the product manual carefully before installation.
- ▶ This product can only be used outside the light body, cannot be used inside of the light, and it must be used within the specified working environment.
- ▶ This product is not waterproof and should be avoided from direct sunlight and rain. If it is installed outdoors, please use a waterproof case.
- ▶ Good heat dissipation conditions are beneficial to the product's lifetime. Please install the product in a suitable environment, and strictly prohibit using double-sided tape to attach the casing or circuit board.
- ▶ Please check the parameters of the LED driver to ensure they meet the application requirements of the lighting fixture.
- ▶ Please install according to the standard wire gauge specified in the manual to avoid malfunctions caused by inappropriate wiring.
- ▶ Before powering on, please ensure that the wiring is correct to prevent damage to the driver or lighting fixture caused by incorrect wiring.
- ▶ If a malfunction occurs, please do not attempt to repair it yourself, if you have any questions, please contact the manufacturer.
- ▶ The manual is for reference only. Please refer to the actual product. Any changes to this product will not be notified separately.
- ▶ For more information, please send an email to fei.l@jisim-tech.com.

Phase-Cut Dimmable LED Driver

Warranty Terms

- ▶ The product is warranted for 5 years. (The life and MTBF of the product are for reference only, and do not represent a warranty statement.)
- ▶ During the warranty period, if any quality issues arise, JISIM will provide free repair or replacement services.

Non-Warranty Terms

The following situations are not covered by the free warranty or replacement service:

- ▶ The warranty period has expired.
- ▶ Damage caused by human factors such as overvoltage, overload, or improper operation.
- ▶ Deformation or damage to the exterior appearance.
- ▶ Damage caused by natural disasters or other irresistible human factors.
- ▶ The warranty label has been torn off or removed.
- ▶ No contract or invoice proof is provided.



Notice:

1. Repair or replacement provided is the only remedy for customers. JISIM is not liable for any incidental or consequential damage unless it is within the law.
2. JISIM has the right to amend or adjust the terms of this warranty, and release in written form shall prevail.