

Product introduction >>>----->>>

JISIM's JD1111A is a constant voltage intelligent dimmable LED driver, designed specifically as a compact product for constant voltage luminaires. It supports thyristor phase-cut ultra-deep dimming functionality, with customized dimming curves that enhance comfort for the human eye. When no external signal is connected, it can be used as a conventional driver and supports a soft-start lighting effect. It is suitable for use with DC 24V LED strip lights, LED light bars, LED light films, LED magnetic lights, LED decorative lights, and LED cabinet lights.



Product Features >>>----->>>

- Compact SELV Dimmable Driver
- Support Phase-Cut dimming
- Global Certification
- Suitable for Class I/ II /III indoor light fixtures
- Smooth dimming, flicker-free, dimming range: 0-100%
- Up to 50000 hours life time, 5-Year Warranty (Long-lasting Capacitor)
- Small size and light weight, High Efficiency
- The housing is made from V0 flame retardant PC materials from CHIMEI

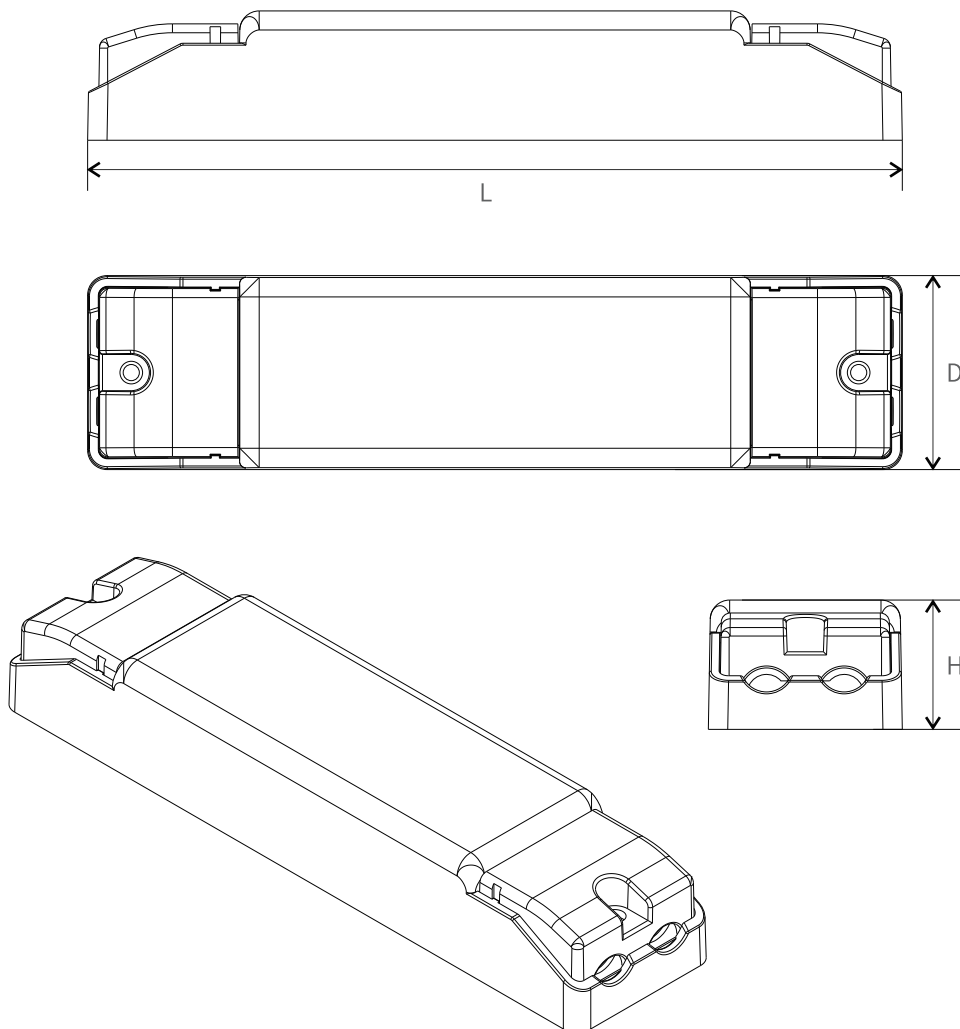
Technical Specifications (All parameters not specially mentioned are measured at 230VAC input, full load and 25°C of ambient temperature) ----->>>

Model	JD1111A							
Input	AC Voltage Range	220-240V			Features	Output Type	Constant Voltage	
	Rated Voltage	220Vac/230Vac/240Vac				Dimming Interface	Phase-Cut	
	Input Frequency	50/60Hz				Output Feature	Isolation	
	Input Current	≤0.53A/230Vac(at full load)				IP Rating	IP20	
	Input Power	Max.68W			Output	Insulation Rating	Class II (Suitable for class I II III light fixtures)	
	Power Factor	PF>0.5C/230Vac(at full load)				No Load Output Voltage	25Vdc	
	Efficiency	≥89%(at full load)				Rated Voltage	24Vdc	
	Inrush Current	Cold start 15A(Test twidth=102us under 50% Ipeak@230Vac)				Output Current Range	Max.2.5A	
	Anti-Surge	L-N:4KV				Output Power Range	60W	
Leakage Current	<0.5mA/230Vac			Dimming Range	0~100%			
Protection	Overload Protection	Hiccup Mode (Auto-Recovery after Elimination)			Ripple	Max.240mV		
	Open Circuit Protection	25Vdc			Voltage Accuracy	±5%		
	Short Circuit Protection	Hiccup Mode (Auto-Recovery after Elimination)			PWM Frequency	<20KHz		
					Environment	Working Temperature	ta:-20°C~45°C	
				Working Humidity		20~95%RH(No Condensation)		
				Storage Temperature/Humidity		-20~85°C/10~95%RH		
				Case Temperature		tc:90°C		
Safety & EMC	Withstand Voltage	I/P-O/P: 3750Vac, 5mA, 60s					Life Time	>50000h@tc=90°C
	Insulation Resistance	I/P-O/P: 100MΩ/500VDC/25°C/70%RH						
	Safety Standards	CE	European Union	EN61347-1, EN61347-2-13, EN62493				
		KC	Korea	KC61347-1, KC61347-2-13				
		TUV	Germany	EN61347-1, EN61347-2-13, EN62493				
		ENEC	Europe	EN61347-1, EN61347-2-13, EN IEC62384				
		CB	CB Member States	IEC61347-1, IEC61347-2-13				
		RCM	Australia	AS/NZS61347.1, AS61347.2.13				
		BIS	India	IS15885(PART2/SEC13)				
EAC		Russia	IEC61347-1, IEC61347-2-13					
UKCA	United Kingdom	BS EN61347-1, BS EN IEC61347-2-13, BS EN62493						
Test Equipment	AC Source	PS-61005		Withstand Voltage Tester	TH9302D	LED Load	Other	
	DC Electronic Load	IT8512A+		Thermostatic Humidity Chamber	HT-H-802			
	Spectrum Analyzer	KH3932		Intelligent Electrical Parameter Meter	PF9800			
	Surge Generator	SUG61005TB(7.5KV)-2216		Oscilloscope	TBS1102B			
	Stroboscope	LANSHU-201B		Digital Wattmeter	PM2818C			

Phase-Cut Dimmable LED Driver

2D Diagram

Diameter (R)	Width (D)	Heigh(H)	Weight(W)
165mm	42mm	30mm	152±10g



Wiring Diagram



The output power should be less than or equal to 60W.
 If the dimmer is not connected, the output will be set to 100% brightness.

Phase-Cut Dimmable LED Driver



Installation Instructions

Interface	Marking	Description	Wire cross section	Wire Stripping Length
Input	N	Input terminal of AC neutral wire	0.75...1.5mm ² (16-18AWG)	5...6mm
	L	Input terminal of AC live wire	0.75...1.5mm ² (16-18AWG)	5...6mm
Output	LED+	Positive electrode output of the driver	0.75...2.5mm ² (14-18AWG)	5...6mm
	LED-	Negative electrode output of the driver	0.75...2.5mm ² (14-18AWG)	5...6mm

Connection instructions

1. Rated torque: M2.6, 0.35~0.40N.m
2. All connections must be as short as possible to ensure good EMI performance.
3. Driver output support hot swap.
4. Incorrect wiring can damage the LED.
5. The power cable should be kept at a certain distance from the driver and other connecting cables (5-10cm recommended)

Packaging Image



← Inner Packaging Box



← Small Carton Packaging



← Large Carton Packaging

Phase-Cut Dimmable LED Driver

Packaging Size

Packaging Details	Carton Size	Packing Units	Weight
Inner Packaging Box	168x45x34mm	1pcs	169.2±10g
Small Carton Packaging	350 x 197 x 167mm	30pcs	5.38kg
Large Carton Packaging	420 x 360 x 365mm	120pcs	21.8kg

Packaging instructions:

Each large carton packaging contains 4 small carton packagings,Each small carton packaging contains 30 inner packaging boxes.

Cautions

- ▶ This product is used as a component in conjunction with a lighting fixture. Due to the influence of EMC from the lighting fixture and wiring, customers should perform EMC testing to confirm the entire product set.
- ▶ No operation with power on. Installation and debugging should be performed by qualified professionals. Please read the product manual carefully before installation.
- ▶ This product can only be used outside the light body, Cannot be used inside of the light, and it must be used within the specified working environment.
- ▶ This product is not waterproof and should be avoided from direct sunlight and rain. If it is installed outdoors, please use a waterproof case.
- ▶ Good heat dissipation conditions are beneficial to the product's lifetime. Please install the product in a suitable environment, and strictly prohibit using double-sided tape to attach the casing or circuit board.
- ▶ Please check the parameters of the LED driver to ensure they meet the application requirements of the lighting fixture.
- ▶ Please install according to the standard wire gauge specified in the manual to avoid malfunctions caused by inappropriate wiring.
- ▶ Before powering on, please ensure that the wiring is correct to prevent damage to the driver or lighting fixture caused by incorrect wiring.
- ▶ If a malfunction occurs, please do not attempt to repair it yourself, if you have any questions, please contact the manufacturer.
- ▶ The manual is for reference only. Please refer to the actual product. Any changes to this product will not be notified separately.
- ▶ For more information, please send an email to fei.l@jisim-tech.com.

Warranty Terms

- ▶ The product is warranted for 5 years. (The life and MTBF of the product are for reference only, and do not represent a warranty statement.)
- ▶ During the warranty period, if any quality issues arise, JISIM will provide free repair or replacement services.

Non-Warranty Terms

The following situations are not covered by the free warranty or replacement service:

- ▶ The warranty period has expired.
- ▶ Damage caused by human factors such as overvoltage, overload, or improper operation.
- ▶ Deformation or damage to the exterior appearance.
- ▶ Damage caused by natural disasters or other irresistible human factors.
- ▶ The warranty label has been torn off or removed.
- ▶ No contract or invoice proof is provided.



Notice:

1. Repair or replacement provided is the only remedy for customers. JISIM is not liable for any incidental or consequential damage unless it is within the law.
2. JISIM has the right to amend or adjust the terms of this warranty, and release in written form shall prevail.